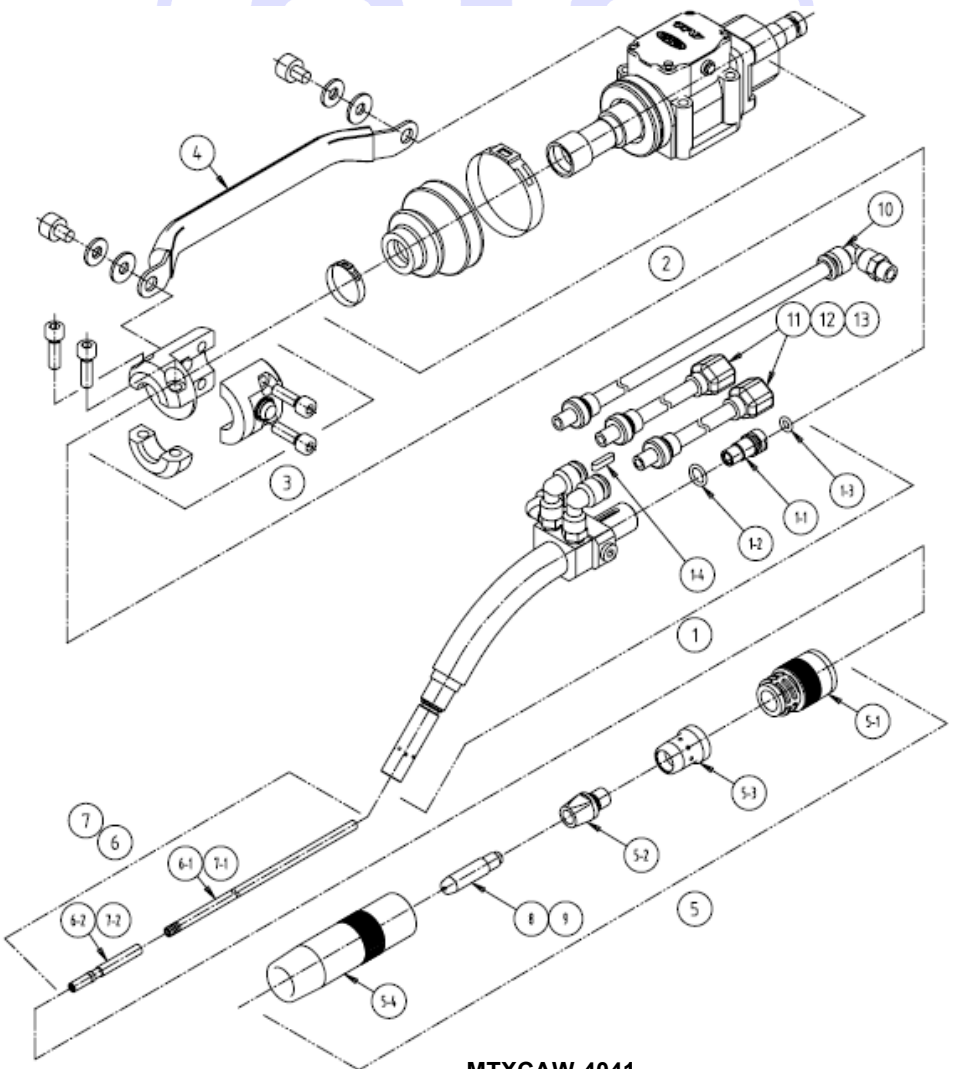


Standard partlist for MTXCAW-4041

Pos	article-No.	description	number	category	remark
	MTXCAW-4041	Al welding torch(only V-type)	1	RM27	1.2 tip is installed
1	L10250B	Torch boddy assy	1	RP34	
1-1	L10268B06	Stop nut	(1)	RP34	
1-2	3570-126	"O"-ring	(1)	RP34	P9(Viton)
1-3	P-5	"O"-ring	(1)		P9(Viton)
1-4	KES3-15	Parallel key	(1)		3*3*15
2	L6380B00	Shock sensor unit	1	RP34	
3	L10268E00	Nozzle holder assy	1	RP34	
4	L6380D00	Power supply wire assy	1	RP34	
5	L10268C	Assy parts	1	RP34	
5-1	U5626X00	Insulator	2	RP 32	
5-2	U5685M01	Tip nut	1	RP32	
5-3	U5685M02	Orifice	1	RP32	
5-4	U5377G01	Nozzle	1	RP32	
6	L10250C00	Inner liner 1.2	1	RP32	
6-1	L10268F01	Guide tube	(1)	RP34	
6-2	L10268F02	Guide tube	(1)	RP34	For Al 1.2
7	L10250D00	Inner liner 1.6	1	RP32	
7-1	L10268F01	Guide tube	(1)	RP34	
7-2	L10268F03	Guide tube	(1)	RP34	For Al 1.6
8	L10361C01	Tip 1.2	1	RP32	For Al 1.2, Packing Unit 10 pcs.
9	L10361C02	Tip 1.6	(1)	RP32	For Al 1.6, Packing Unit 10 pcs.
10	L10268N00	Gas hose assy	1	RP34	
11	L6571D00	Coolant hose (1)	2	RP32	6mtr
12	L10268L00	Coolant hose (2)	(2)	RP32	8mtr
13	L10268M00	Coolant hose (3)	(2)	RP32	10mtr



MTXCAW-4041