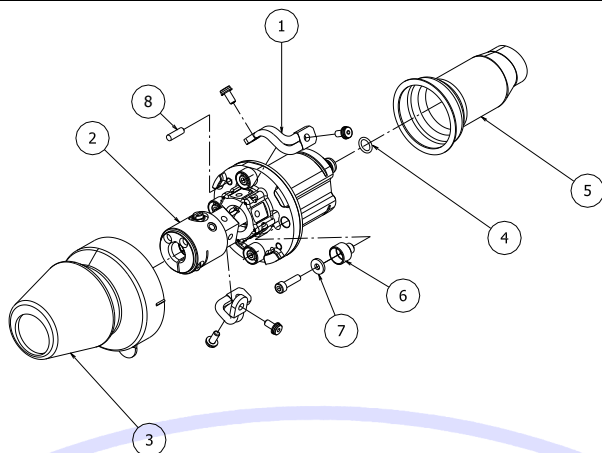


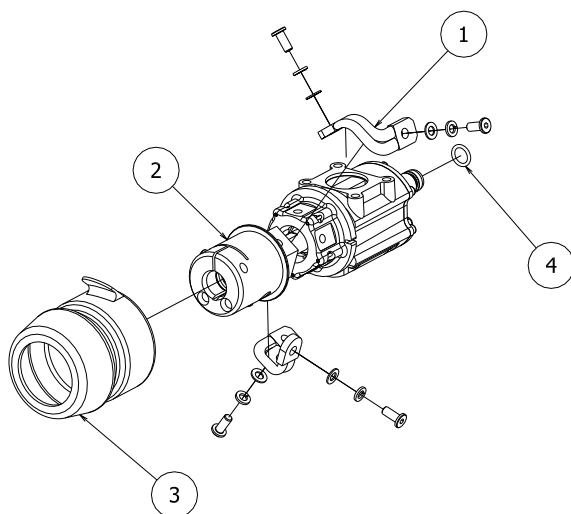
# Standard partlist for SSB

Pos	article-No.	description	number	category	remark
	<b>SSB</b>	<b>Shock sensor unit</b>	<b>1</b>	<b>RP34</b>	For B-type
1	L10601D00	Power –feeding cable assy	1	RP34	
2	L10601C00	Nozzle holder assy	1	RP34	
3	L10601B10	Hood	1	RP34	
4	3574-017	“O”-ring	1	RP34	
5	L10601B13	Power cable cover	1	RP34	
6	L10601B09	Insulating bushing	4	RP34	
7	100-0650	Washer	4	RP34	
8	100-0651	Insulating duwel pin	2	RP34	



# Standard partlist for SSV

Pos	article-No.	description	number	category	remark
	<b>SSV</b>	<b>Shock sensor unit</b>	<b>1</b>	<b>RP34</b>	For V-type
1	L10601D00	Power –feeding cable assy	1	RP34	
2	L10601C00	Nozzle holder assy	1	RP34	
3	L10602B02	Hood	1	RP34	
4	3574-017	“O”-ring	1	RP34	



Shock sensor units