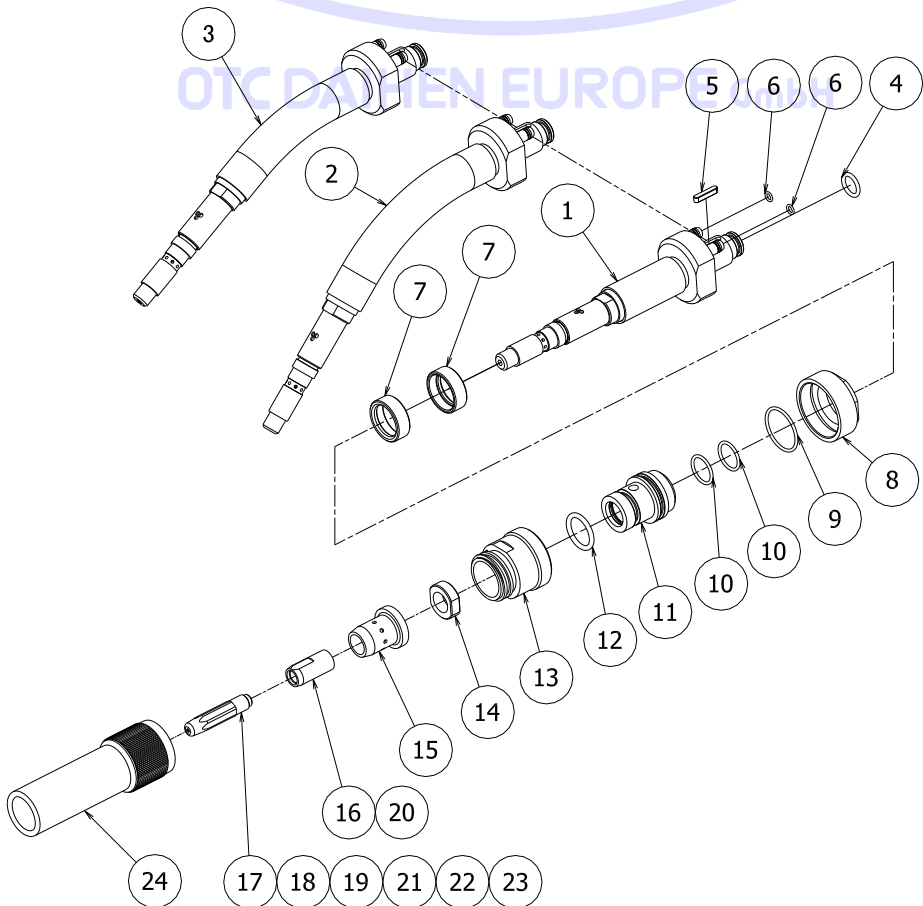


Standard partlist for RTW5000S(H,L)

Pos	article-No.	description	number	category	remark
	RTW5000S(H,L)	welding torch	1	RM27	1.6 tip is installed
1	L10609B00	Torch boddy assy	(1)	RP34	Straight
2	L10611B00	Torch boddy assy	1	RP34	For 45° curved torch
3	L10610B00	Torch boddy assy	(1)	RP34	For 31° curved torch
4	3574-017	"O"-ring	1	RP34	
5	100-0602	Parallel key	1	RP34	
6	100-0652	"O"-ring	2	RP34	
7	L10609B08	Rubber bush	2	RP34	
8	U2969K03	Cap nut	1	RP34	
9	3574-003	"O"-ring	1	RP34	
10	3574-002	"O"-ring	2	RP34	
11	L6571C01	Insulating bush	1	RP32	
12	3574-006	"O"-ring	1	RP34	
13	L6571C02	Front body	1	RP34	
14	L6571C03	Nut	1	RP34	
15	U3766K01	Orifice	1	RP32	Packing Unit 5 pcs.
16	L10302C01	Tip nut	1	RP32	
17	L10361B04	Tip 1.2R	(1)	RP32	Option, Packing Unit 10 pcs.
18	L10361B05	Tip 1.4R	(1)	RP32	Option, Packing Unit 10 pcs.
19	L10361B06	Tip 1.6R	1	RP32	Packing Unit 10 pcs.
20	L10302C02	Tip nut M6	(1)	RP32	
21	L7250B04	Contact tip 1.2	(1)	RP32	Option, Packing Unit 10 pcs.
22	L7250B05	Contact tip 1.4	(1)	RP32	Option, Packing Unit 10 pcs.
23	L7250B06	Contact tip 1.6	(1)	RP32	Option, Packing Unit 10 pcs.
24	U724E01	Nozzle No.12	1	RP32	Option



RTW5000S(H,L)